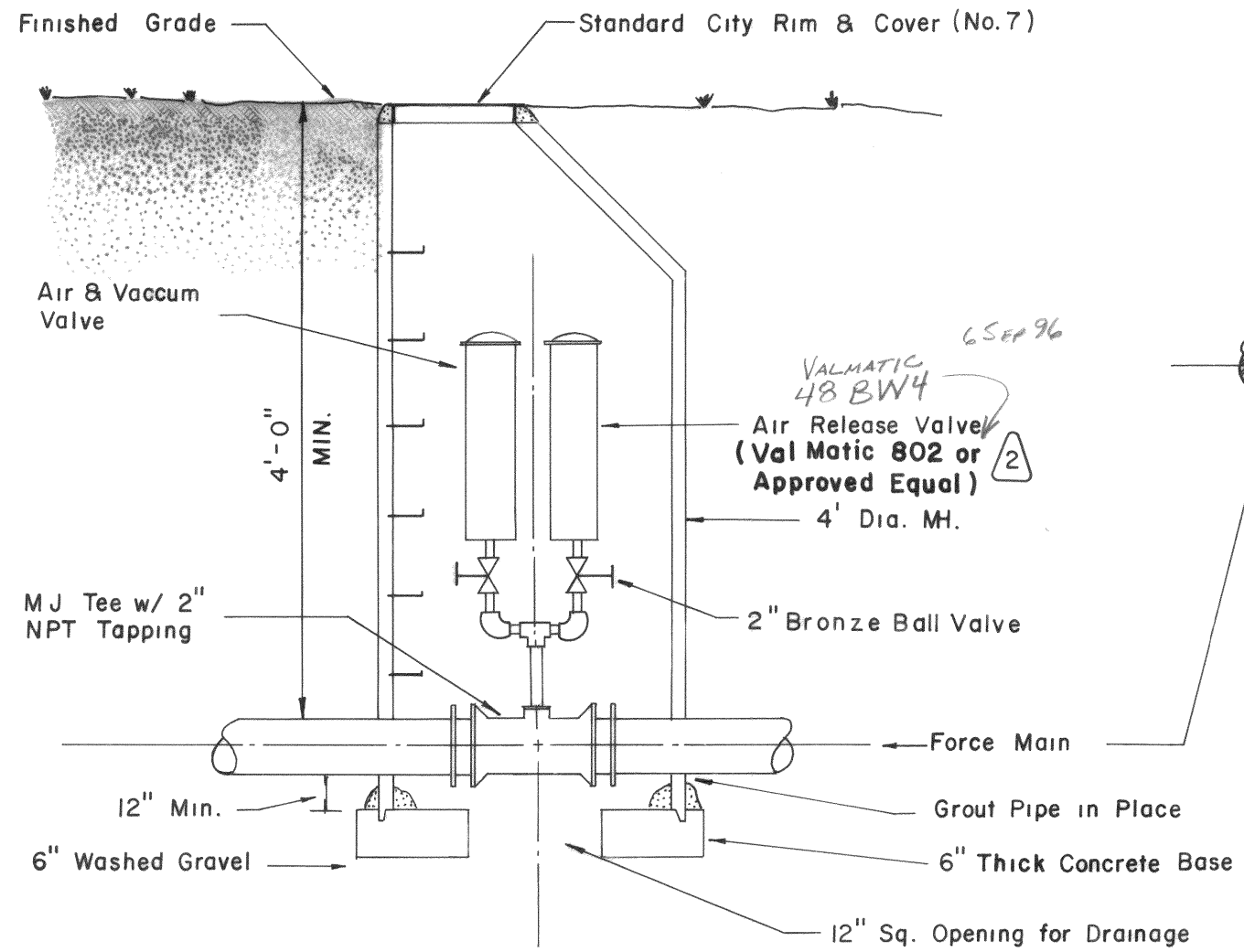


DEPARTMENT of ENGINEERING, BUREAU of SEWER DESIGN, BUREAU ENGINEER, CRT DRAFTSMAN, HRA DATE 3/85 SCALE NTS



Note:
 All Pipe Fittings Shall Be 304 Stainless Steel
 (2) Air & Vacuum Valve maybe deleted at the Direction of the Engineer,

REVISIONS			
NO.	DATE	BY	REMARKS
1	4/30/87	H.C.	S.S. Valve & Fittings
2	2/06/95	DES	Valve Name & Note

CONVERSIONS	
ENGLISH	METRIC

CITY OF MEMPHIS
 DEPARTMENT of ENGINEERING

DESIGN STANDARD
 FOR
AIR - VACUUM RELEASE VALVE
 VACVAL

Bryant Bondurant P.E.
 CITY ENGINEER 3/29/85 DATE